

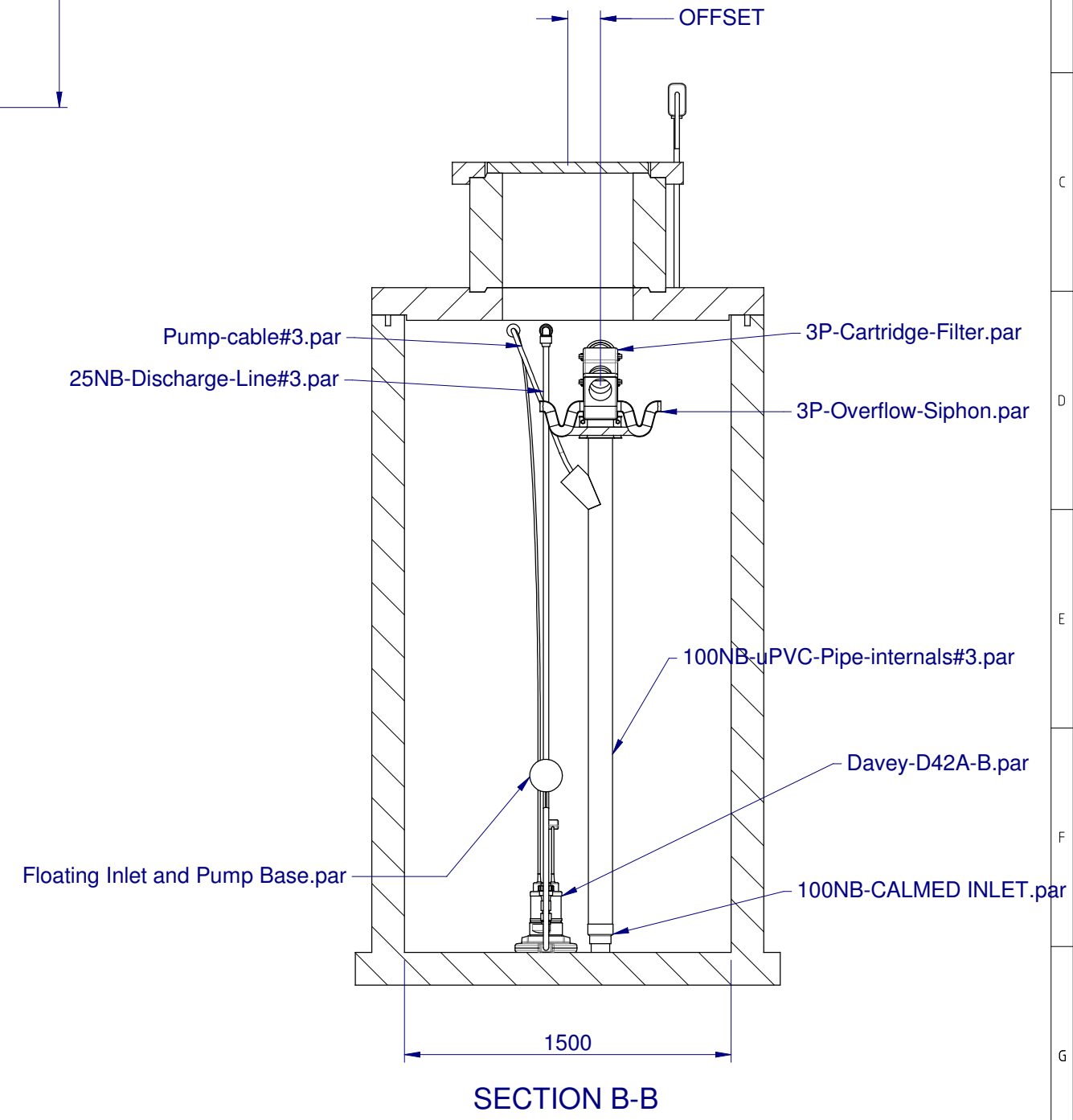
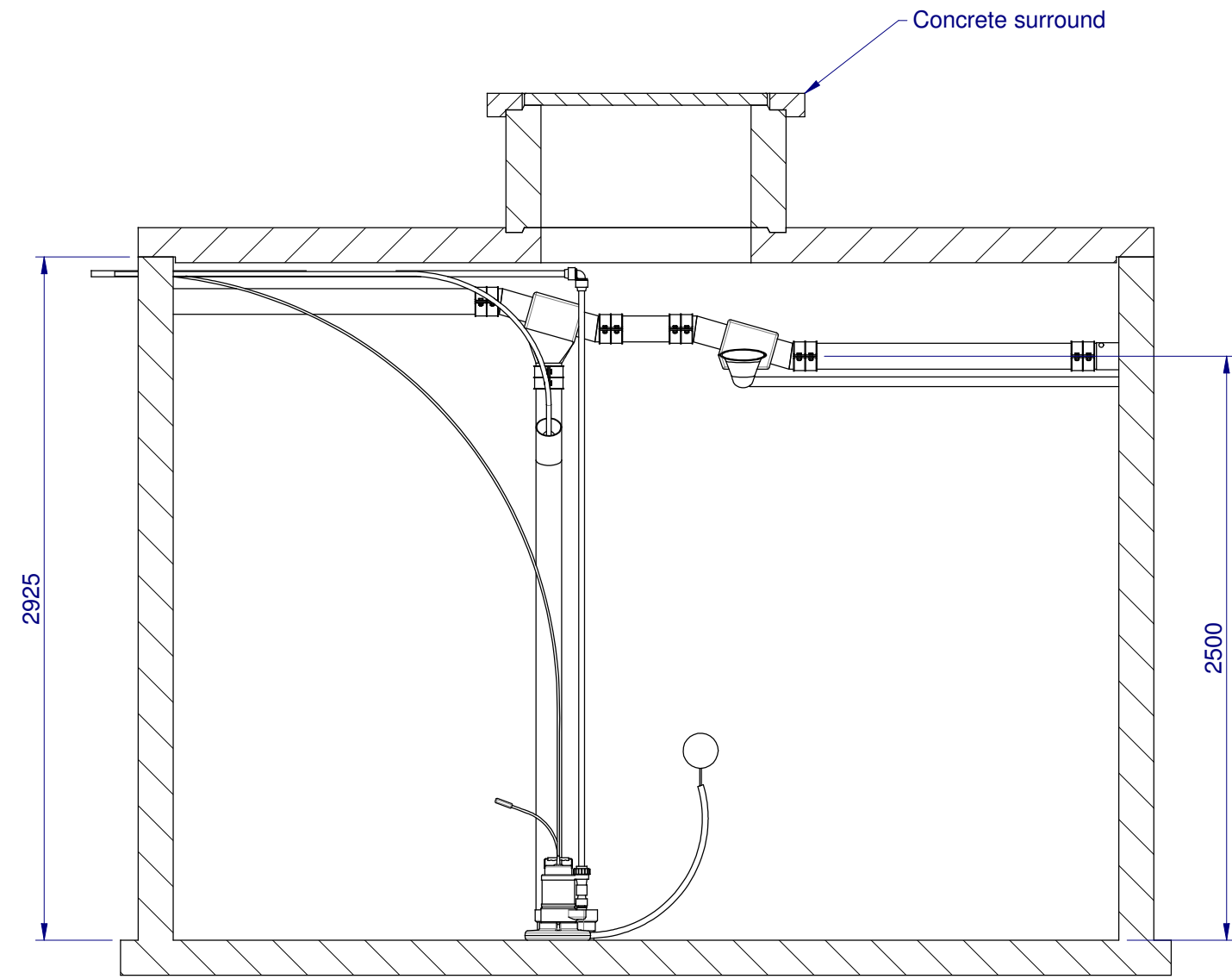
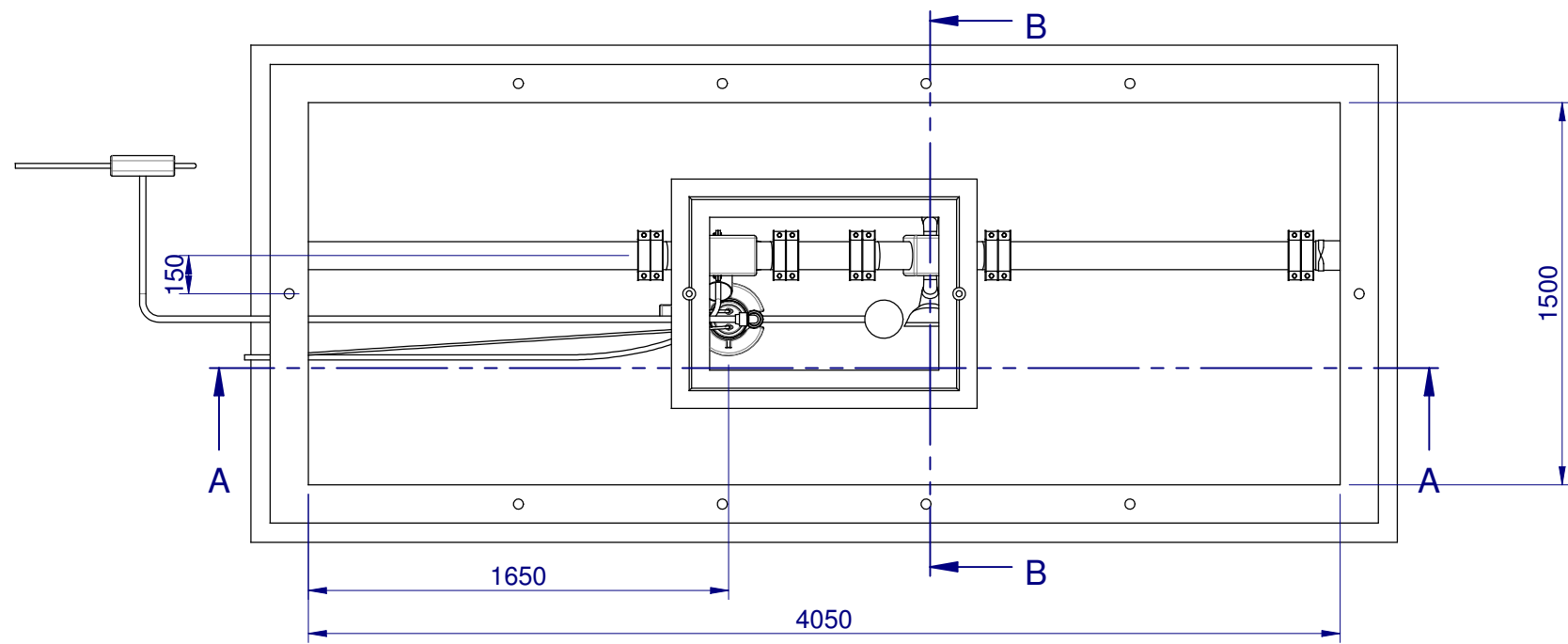


# RST 71500 RAINWATER STORAGE AND RE-USE SYSTEM TECHNICAL DRAWINGS

<b>Adelaide</b> +61 8 8212 9733	<b>Brisbane</b> +61 7 3368 3966	<b>Darwin</b> +61 1300 663 225	<b>Hobart</b> +61 1300 768 922	<b>Melbourne</b> +61 3 9646 3911
<b>Perth</b> +61 1300 794 654	<b>Sydney</b> +61 2 9669 6000	<b>Townsville</b> +61 7 4728 5711	<b>Auckland</b> +64 9 272 7010	<b>Kuala Lumpur</b> +60 3 7710 6514

Website: [www.ecosol.com.au](http://www.ecosol.com.au)

Ecosol Pty Ltd ABN 86 059 012 243 Ecosol (NZ) Wastewater Filtration Systems Ltd (Reg. No AK/1172504)  
Ecosol (UK) Wastewater Filtration Systems Ltd (Reg. No 4367214) Ecological Filtration Systems Sdn Bhd (Reg. No 651041-U)



CAD FILE No. **RST-71500.DFT**

REV	DESCRIPTION	DRAWN	CHECK	APPROVED	DATE
D	REVISED SECTION B-B	Ant	D.B	A.M	13.02.08
C	Revised components	Ant	D.B	A.M	21.08.07
B	Revised off set	Ant	D.B	A.M	15.05.07
A	Original Issue	Ant	D.B	A.M	02.05.07

**SECTION A-A**

Engineering Pty. Ltd.  
3D Design Solutions  
contact: antworks@optusnet.com.au

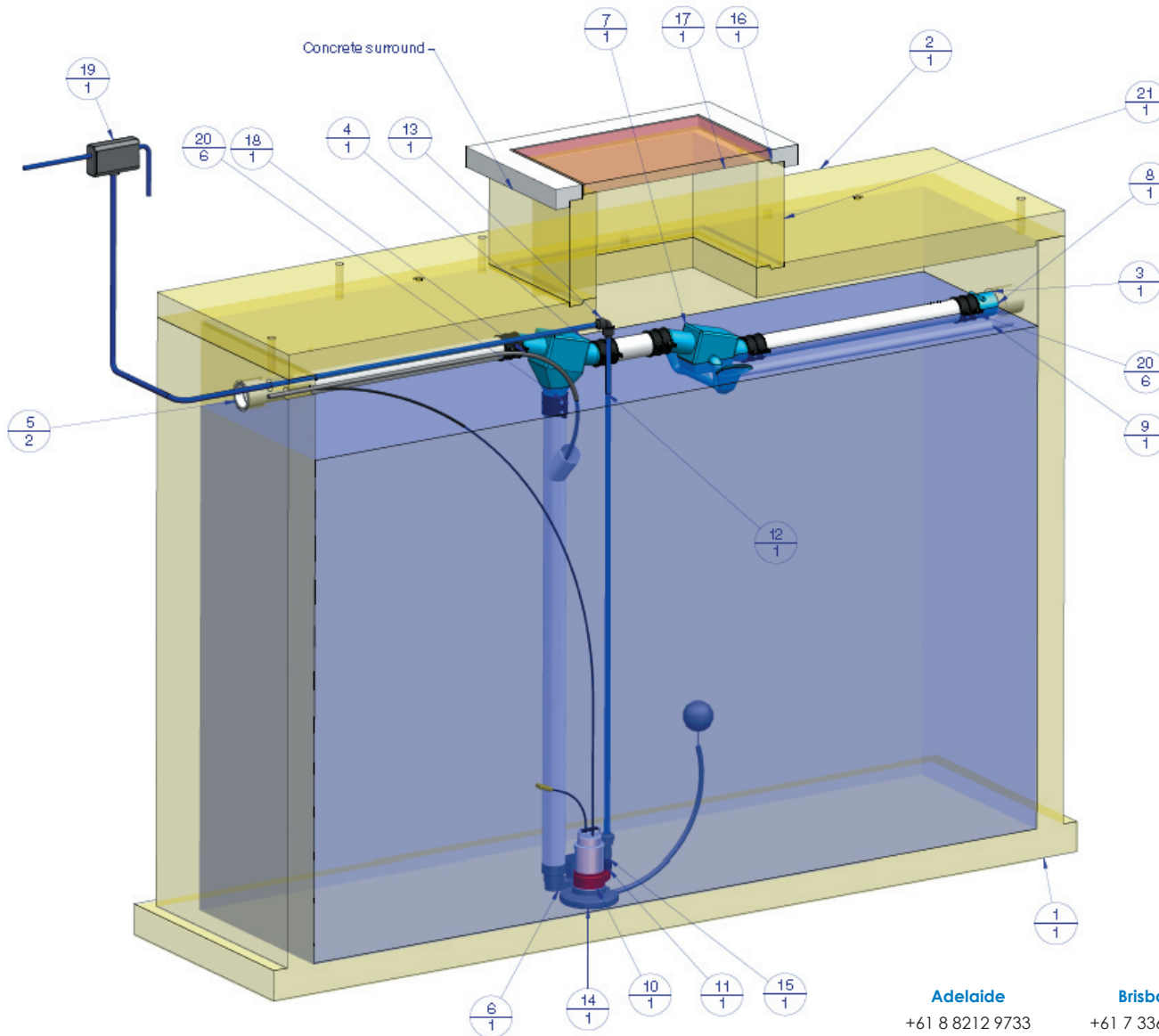
THIS DOCUMENT AND THE IDEAS AND DESIGNS HEREIN, AS AN INSTRUMENT OF PROFESSIONAL SERVICE IS THE PROPERTY OF ECOSOL Pty. Ltd. AND IS NOT TO BE USED IN WHOLE OR IN PART WITHOUT THE WRITTEN AUTHORIZATION OF ECOSOL Pty. Ltd.

DRAWN	DATE:	DESIGN CHECK	DATE:	PROJECT No:
Ant	2 MAY 07		2 MAY 07	
DRAWING CHECK	DATE:	PROJ. MANAGER	DATE:	CONTRACT No:
A.M	2 MAY 07		2 MAY 07	
DESIGN ENG.	DATE:			CAD FILE No:
	2 MAY 07			

WASTEWATER FILTRATION SYSTEMS  
contact: info@ecosol.com.au  
website: www.ecosol.com.au

TITLE: **RAINWATER STORAGE TANK**  
**UNIT SIZE : RST 71500**

DRAWING No.	REV
<b>RST71500</b>	<b>D</b>
SHEET 1 OF 2	A1
SCALE: Noted	



**Ecosol RST 71500 Rainwater Storage and Re-use System**

Item	Description	Material	Qty
1	Ecosol Rainwater Storage Tank 15,000 litres	Concrete	1
2	Ecosol Rainwater Storage Tank cover slab details	Concrete	1
3	110 sewer pipe uPVC	PVC	1
4	3P cartridge filter PF	LDPE	1
5	100NB uPVC socket coupling PN18	PVC	2
6*	110 dia calmed inlet	PVC	1
7	3P duo overflow	LDPE	1
8	3P backflow prevention valve	PVC	1
9*	32NB uPVC pipe, support bar	PVC	1
10*	Submersible pump, 240 VAC c/w float switch and cable	Pump	1
11*	25mm x 1" male iron adapter plasson	Polypropylene, general purpose	1
12	25mm poly pipe, MDPE PN12.5	Polyethylene, low density	1
13	25mm, 90 degree elbow plasson	Polypropylene, general purpose	1
14*	Davey floating inlet and pump base	Polyethylene, low density	1
15*	25NB ball check valve, single union	Polyethylene, low density	1
16	Concrete surround	Concrete	1
17	Access cover	Iron, grey cast type 20	1
18	20NB water flush line for 3P filter	Polypropylene, general purpose	1
19	Team Poly rain bank controller	Brief material specification	1
20*	110 pipe coupling		6
21	Access riser	Concrete	1

**Adelaide**  
+61 8 8212 9733

**Perth**  
+61 1300 794 654

**Brisbane**  
+61 7 3368 3966

**Sydney**  
+61 2 9669 6000

**Darwin**  
+61 1300 663 225

**Townsville**  
+61 7 4728 5711

**Hobart**  
+61 1300 768 922

**Auckland**  
+64 9 272 7010

**Melbourne**  
+61 3 9646 3911

**Kuala Lumpur**  
+60 3 7710 6514

Website: [www.ecosol.com.au](http://www.ecosol.com.au)

Ecosol Pty Ltd ABN 86 059 012 243 Ecosol (NZ) Wastewater Filtration Systems Ltd (Reg. No AK/1172504)  
Ecosol (UK) Wastewater Filtration Systems Ltd (Reg. No 4367214) Ecological Filtration Systems Sdn Bhd (Reg. No 651041-U)